

OPERATION

•Drying times will vary. The SCE model will typically dry a full basket of CPAP supplies in about one hour depending on the room temperature and relative humidity. You can try lesser times with the adjustable timer to find the best performance for your environment. In some cases, an hour may not be enough time, which you can start a new drying session at your choice of timer settings.

2. Hurricane Sleep Center Edition (SCE model)

• Do not place more than four of each item in the unit for best results at one time: CPAP mask (Pillows system, full-face mask, etc.), headgear, CPAP hose, and humidifier chamber. If you are drying other items such as respiratory belts or EEG nets, then substitute each item for one of the CPAP supply items for best results. Over stocking the dryer basket may result in longer dry times.

3. Hurricane Home Edition (HE)

• You should always clean and dry your CPAP supply items daily, and in some cases weekly according to the manufacturer's recommendations to ensure proper cleanliness.

• Place one CPAP mask (Nasal pillow system), one headgear, one humidifier chamber in the basket for drying, once you have cleaned and rinsed these items. Place one end of the CPAP hose over the hose-port. For best results, pull apart the mask or pillows and the humidifier chamber if applicable per the manufacturer. Typically the headgear can remain attached to the mask frame for drying. A recommended starting setting for the dry time on the home unit is 30 or 60 minutes. You may need to increase or decrease the dry times depending on your home temperature and relative humidity.

VERY IMPORTANT: You should always shake your cleaned wet CPAP supplies over a sink or basin to remove any extra water after cleaning. This prevents large amounts of water from over pooling in the dryer, possibly causing an over-flow of the water tray and potentially preventing the items from becoming thoroughly dry.

Always empty the water tray after each drying cycle of supplies.

The CPAP mask/Nasal pillow headgears should be thoroughly squeezed of excess water before placing in the dryer for best results

MAINTENANCE

Check the water tray after each drying session, and pour out water before the tray is full. We recommend that you clean the Hurricane CPAP Supplies Dryer weekly.

Remove the re-washable inlet filters weekly and as needed for cleaning. If the filters begin to appear dirty before a week elapses, remove and clean. Hand wash the filters with a mild soapy solution and warm water, then thoroughly rinse with running water and air dry. If you have a second set of clean and dry filters ready for use, you may dry the recently washed set of filters in the dryer, making sure you have re-installed the dry set of filters back into the dryer cabinet.

WARNING: DO NOT clean the Hurricane CPAP Supplies Dryer with its power on. Electric shock or injury may occur.

TROUBLESHOOTING

Problem:

The Hurricane CPAP Supplies Dryer won't work when you turn it on.

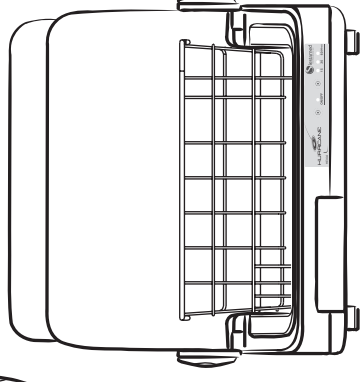
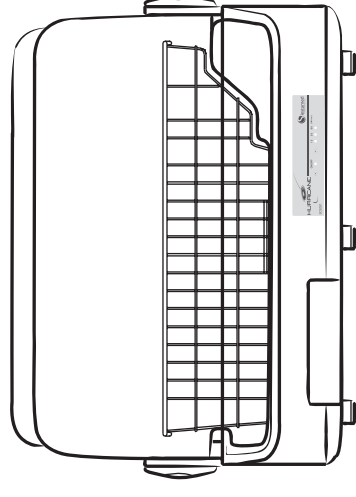
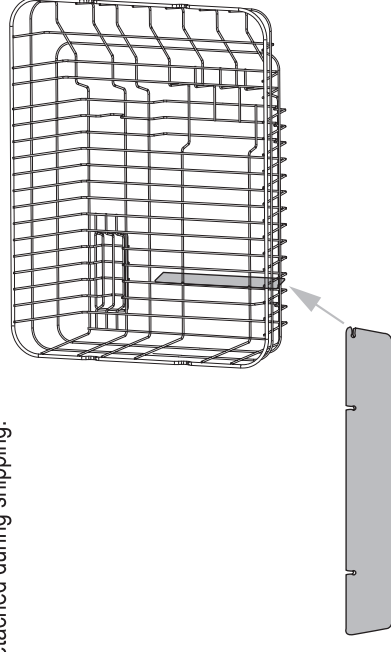
Solution:

Check the power cord is plugged into a 120V AC outlet. If yes, try another 120V AC power outlet. If it still won't work, please contact the Distributor.

SPECIFICATION

Product	SCE001	HE002
Model Number	120V / 60Hz	120V / 60Hz
Power Input	120V / 60Hz	120V / 60Hz
Power Consumption (Watts)	516	360
Net Weight (lbs)	12.1	7.48
Dimension (inch)	20.7(L) x 15(W) x 15.4(H)	12.5(L) x 13.7(W) x 12(H)

Please note: There is a flat plastic board attached on the stainless steel basket of SCE001. It directs the warm air and improves the performance of the dryer. Reposition the board if it is detached during shipping.



SCE001/HE002



Company: SIESTAMED TECHNOLOGIES
Address: 5235 Mission Oaks Blvd, #970

CAMARILLO, CA 93012
Website: www.siestamed.com

Please contact the business you purchased your CPAP supply dryer from, for customer support and returns.

This appliance is not intended for use by persons (including children) with reduced physical, sensory or mental capabilities, or lack of experience and knowledge, unless they have been given supervision or instruction concerning use of the appliance by a person responsible for their safety.

Children should be supervised to ensure that they do not play with the appliance.



USER GUIDE